

# TECHNO FILTER

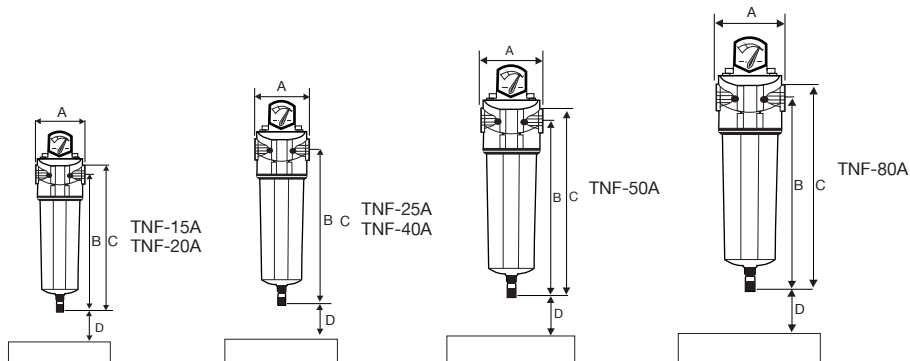


# TNF SERIES



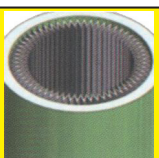

TECHNICAL DATA														
TYPE	Connections (inch)	AIR FLOW			DIMENSION (mm)				Press Bar max	Weight Kg	ELEMENT GRADES (TNE)			
		l/min	m <sup>3</sup> /h	scfm	A	B	C	D			3200	3100	1300	1500
TNF-15A	1/2"	1280	77	45	95	197	220	110	16	0.86	3200-15A	3100-15A	1300-15A	1500-15A
TNF-20A	3/4"	2830	170	100	95	257	280	175	16	1	3200-20A	3100-20A	1300-20A	1500-20A
TNF-25A	1"	5100	306	180	125	285	315	185	16	2.3	3200-25A	3100-25A	1300-25A	1500-25A
TNF-40A	1.1/2"	10480	629	370	125	367	397	265	16	2.6	3200-40A	3100-40A	1300-40A	1500-40A
TNF-50A	2"	21110	1267	745	170	658	700	559	16	8.2	3200-50A	3100-50A	1300-50A	1500-50A
TNF-80A	3"	36270	2176	1280	200	938	995	691	16	18.11	3200-80A	3100-80A	1300-80A	1500-80A

## Correction factor for Inlet pressure

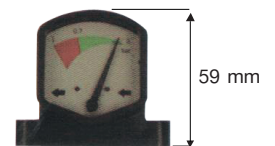
Bar	2	3	4	5	6	7	8	9	10	11	12	13	14	15	16
Factor	0.36	0.50	0.63	0.75	0.88	1.00	1.13	1.25	1.38	1.50	1.63	1.75	1.88	2.00	2.13



## ELEMENT SPECIFICATION

	<b>3200-3µm</b>	<b>Description</b>	<b>Installed</b>
<b>PRE FILTER</b>	Separator filter, removal large amount of solid or liquid, rust abrasion particles	At point of use if no separator. installed upstream of refrigerated dryers	
	<b>3100-1µm</b>	<b>Description</b>	<b>Installed</b>
<b>LINE FILTER</b>	Removal of medium amounts of solid or liquid, fine contaminants, fine dust particles, small droplets and aerosols	At point of use if aftercoller/separator installed upstream Downstream of heatless. Upstream of refrigerated dryers	
	<b>1300-0.01µm</b>	<b>Description</b>	<b>Installed</b>
<b>COALESCENT FILTER</b>	Removal of small amounts of solid or liquid, fine contaminants, finest dust particles, oil mist and aerosol	Upstream of desiccant dryers (use 3100 as a prefilter) Downstream of refrigerated dryers	
	<b>1500</b>	<b>Description</b>	<b>Installed</b>
<b>ACTIVE CARBON ELEMENT</b>	Removal of small amounts of gaseous, contaminants in particular oil vapor	Downstream of high efficiency fine filters	

## DIFFERENTIAL PRESSURE GAUGE



## AUTO DRAIN



## บริษัท อาร์. แอ็งค์ ซัพพลาย จำกัด

1035/83-85 ซอยกรุงเทพ-นนทบุรี 33 ถนนกรุงเทพ-นนทบุรี

แขวงวงศ์สว่าง เขตบางซื่อ กรุงเทพฯ 10800

Tel. 02-910-8754, 02-587-4863,

02-587-9415, 02-586-8393-4

Fax. 02-587-3943, 02-910-9611

www.rhanksupply.com E-mail. rhanksupply@gmail.com